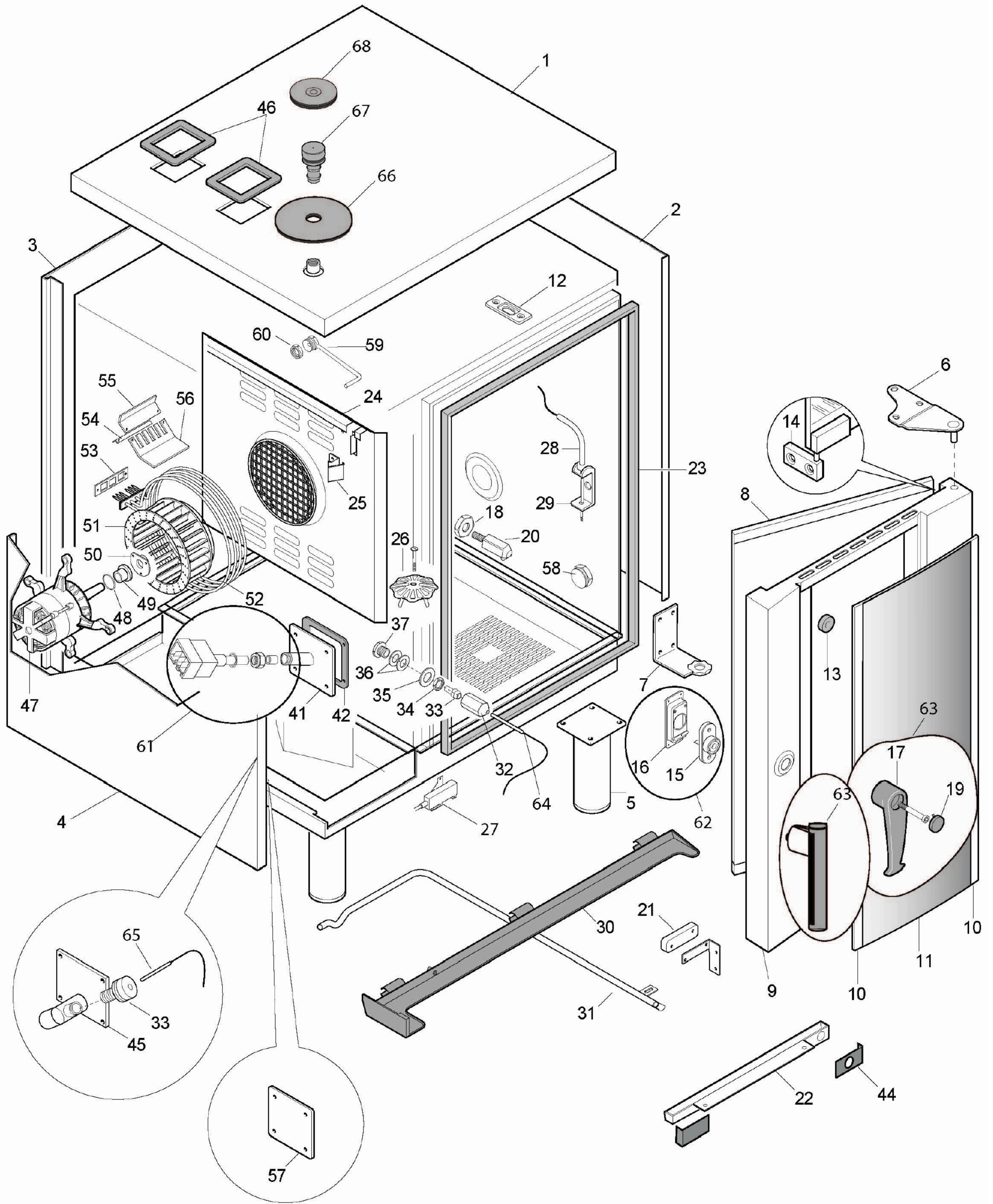


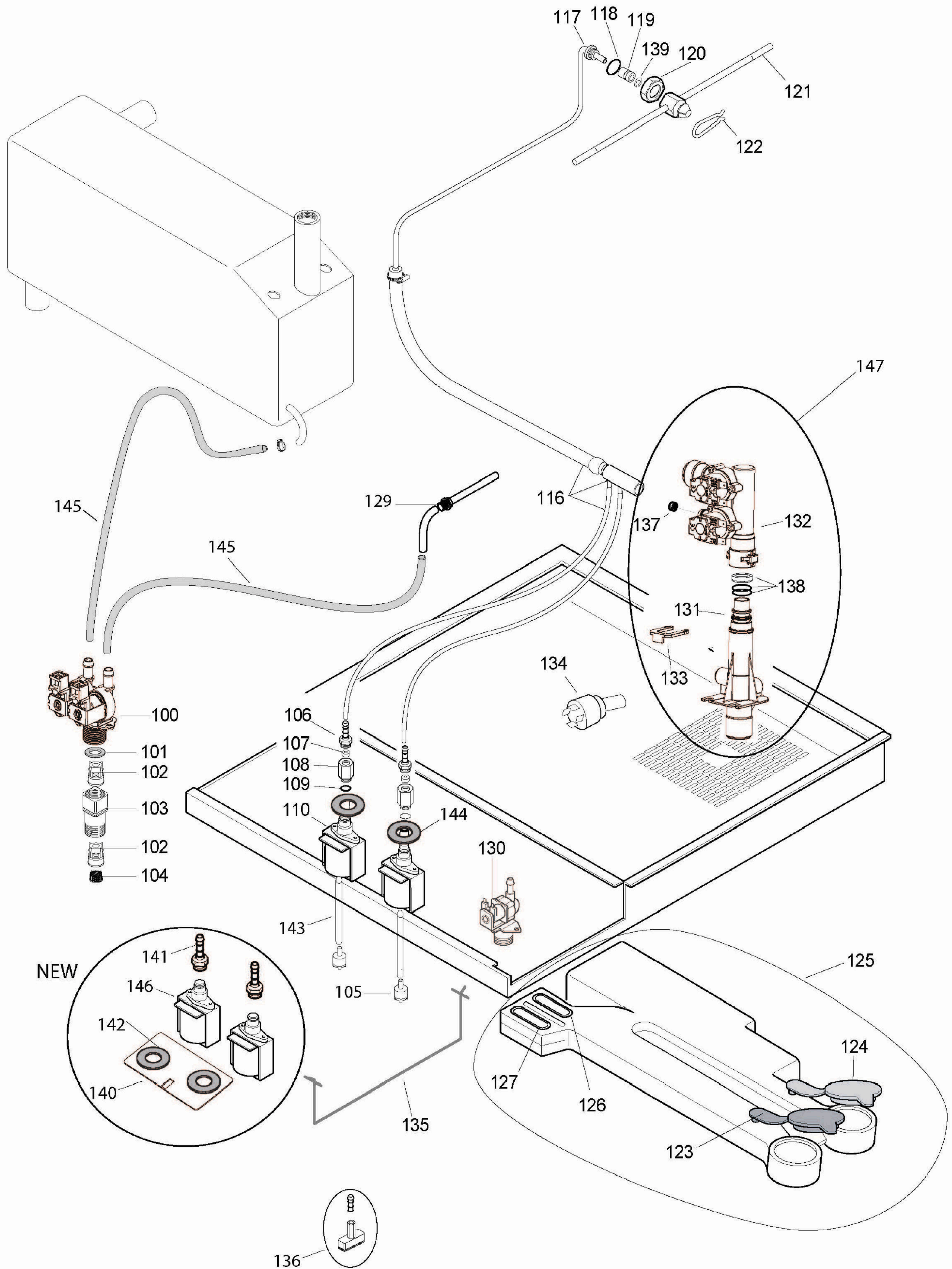
10 GN 2/1 ELECTRIC CONVECTION / STEAM OVEN
FORNO CONVEZIONE / VAPORE ELETTRICO 10 GN 2/1

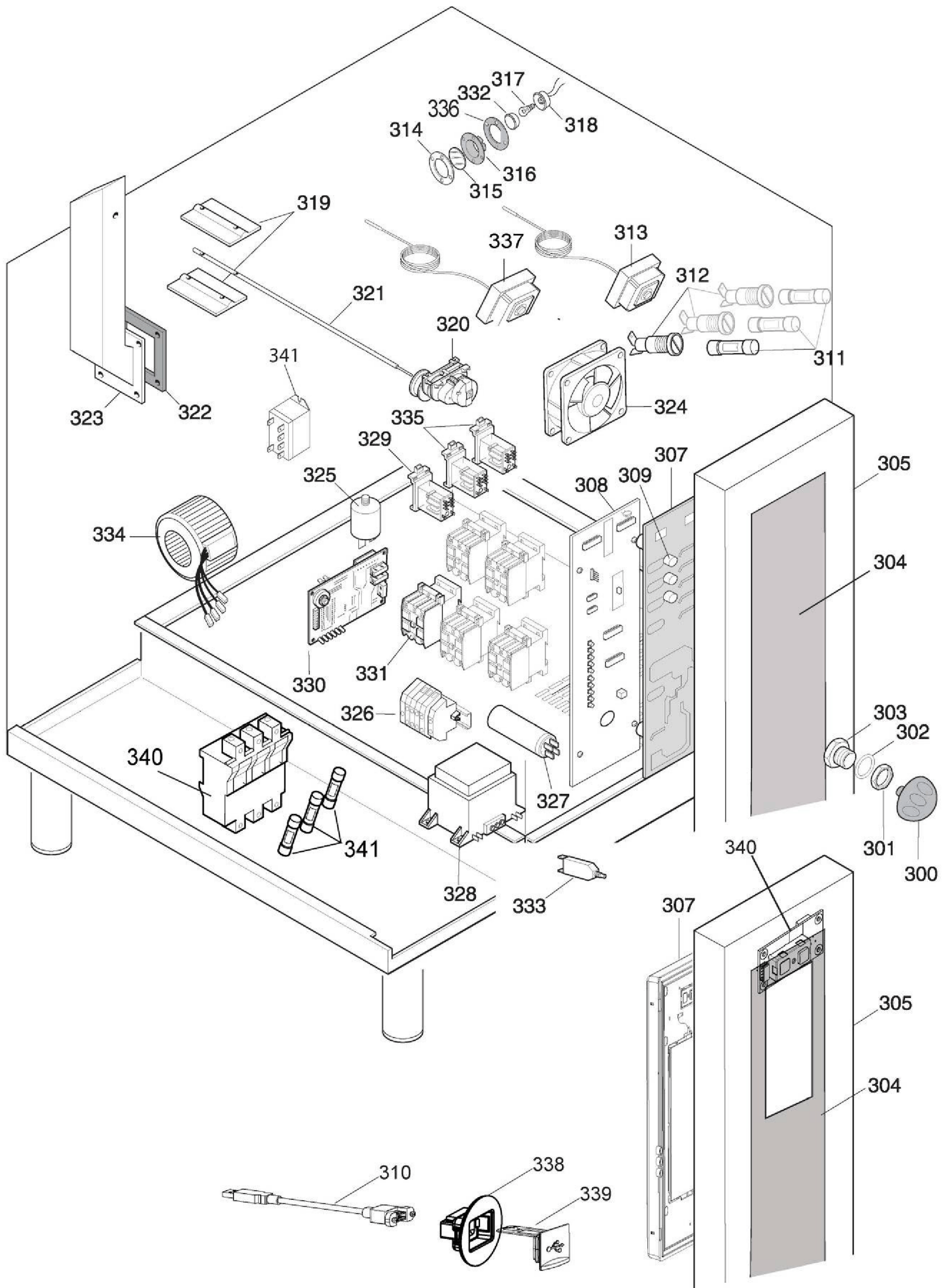
PNC	Model	Ref	Group	Level	Page	Notes
267203	AOS102EAA1	a	AOS	TOUCH	2...11	400V 3N 50Hz
267283	AOS102EAM1	c	AOS	TOUCH	2...11	208V 3 USA
267293	AOS102EAB1	d	AOS	TOUCH	2...11	240V 3 USA
267323	AOS102ETV1		AOS	TOUCH	2...11	480V 3 USA
267303	AOS102EAK1	e	AOS	TOUCH	2...11	400V 3N 50Hz UK
268203	AOS102EBA1	g	AOS	Level B	2...11	400V 3N 50Hz
268303	AOS102EBK1	h	AOS	Level B	2...11	400V 3N 50Hz UK
269203	AOS102ECA2	i	AOS	Level C	2...11	400V 3N 50Hz
269283	AOS102ECM1	l	AOS	Level C	2...11	208V 3 USA
269293	AOS102ECB1	m	AOS	Level C	2...11	240V 3 USA
237203	FCZ102EAA	n	FCZ	TOUCH	2...11	400V 3N 50Hz
238203	FCZ102EBA	o	FCZ	Level B	2...11	400V 3N 50Hz
239203	FCZ102ECA	p	FCZ	Level C	2...11	400V 3N 50Hz
269303	AOS102ECK2	q	AOS	Level C	2...11	400V 3N 50Hz UK
266203	AOS102EKA1	r	AOS	Level K	2...11	400V 3N 50Hz
266283	AOS102EKM1	s	AOS	Level K	2...11	280 3 USA

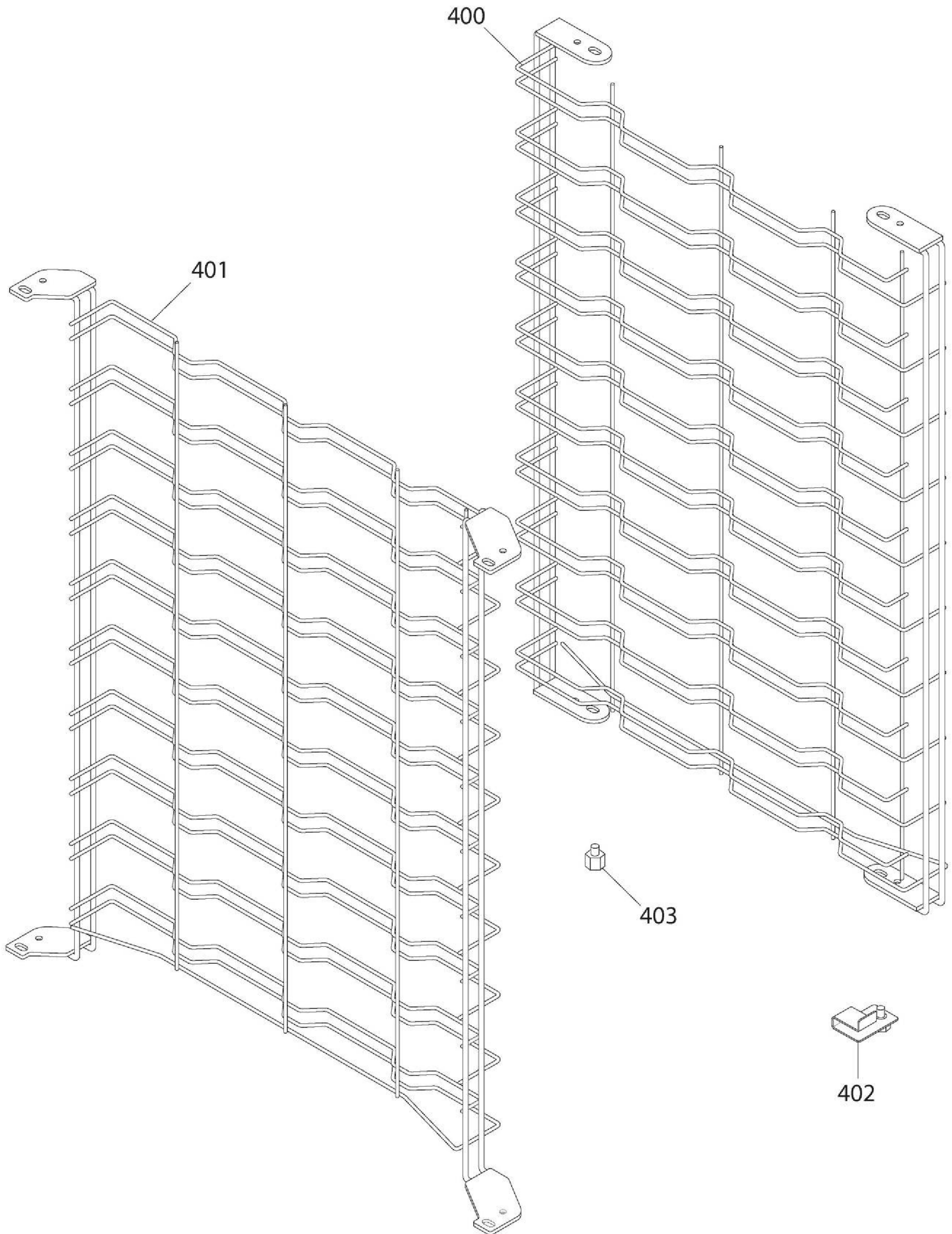
Pag	Index	Indice	Note
2	Oven cabinet and door.	Cella forno e porta	
3	Water system	Impianto idraulico	
4	Boiler	Boiler	
5	Electrical components	Componenti elettrici	
6	Accessories	Accessori	
7...10	Spare parts list	Lista ricambi	

Brand/Marchio: All
Factory code: 9PDD









CATALOGO RICAMBI PER DOCGETTA**0C4248**

SPARE PART LIST FOR**0C4248****SPRAY HOSE REEL**

